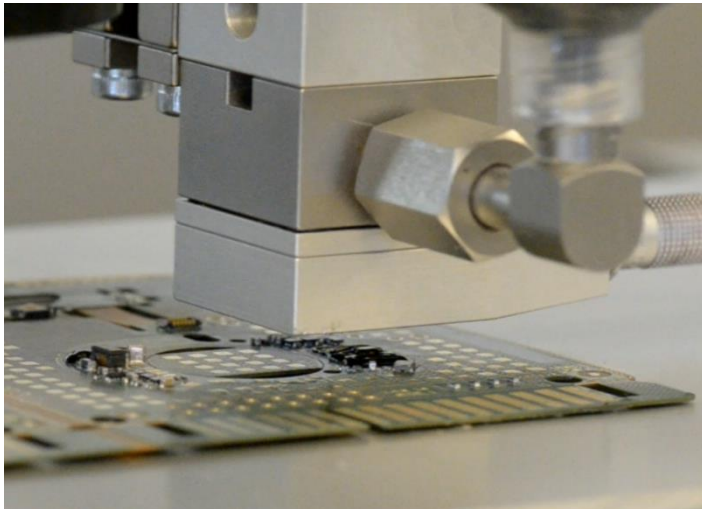


LIQUIDYN JET DISPENSER



Infotech offers several options for Jet Dispensers on their systems – (**LIQUIDYN**, PICODOS, PICOPULSE, VERMES, MUSASHI, DELO PN3...). The Liquidyn dispensers are electro-pneumatically operated and allow for both non-contact and contact dispensing. Dots, beads, and lines can be dispensed onto surfaces from any direction with high repeatability. Furthermore, the Liquidyn’s fluid carrying components are separate from the actuator allowing them to be quickly and easily exchanged. Integrated onto an Infotech Production Cell, jet dispensers allow for high speed, high performance, and flexible dispensing.

Liquidyn P-DOT:

| | |
|------------------------------------|----------------------------|
| Size | 38.6W x 126.7H x 61L mm |
| Maximum Fluid Pressure | 100 bar |
| Maximum Operating Frequency | 150 Hz |
| Pulse Time | ≥2 ms |
| Input Air Pressure | 2-5 bar |

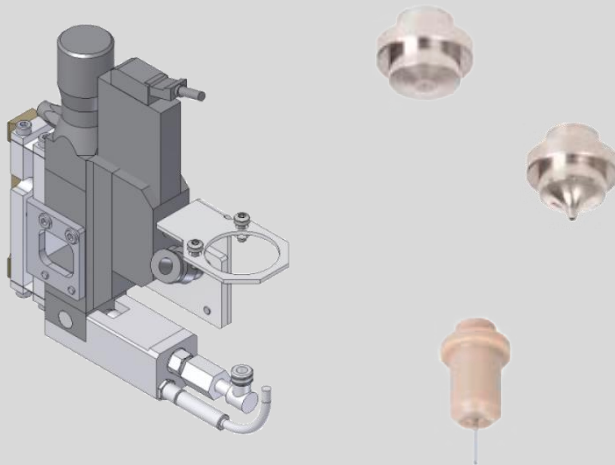
- Designed for micro-dispensing of medium to high viscosity fluids, including oils, greases, adhesives, silicones, fluxes, ...
- Dispensing volume starting at 3 nL
- Dispensing frequencies as high as 150 Hz
- Dot and Line Dispensing Capability
- Non-Contact & Contact Dispensing Capability
- High repeatability and high accuracy

Liquidyn P-JET:

| | |
|------------------------------------|-------------------------|
| Size | 20W x 138.5H x 78.5L mm |
| Maximum Fluid Pressure | 100 bar |
| Maximum Operating Frequency | 280 Hz |
| Pulse Time | ≥2 ms |
| Input Air Pressure | 3-8 bar |

- Designed for micro-dispensing of low to medium viscosity fluids, including oils, greases, glues, flux and filled products
- Dispensing volume starting at 3 nL
- Dispensing frequencies as high as 280 Hz
- Dot and Line Dispensing Capability
- Non-Contact & Contact Dispensing Capability
- High repeatability and high accuracy

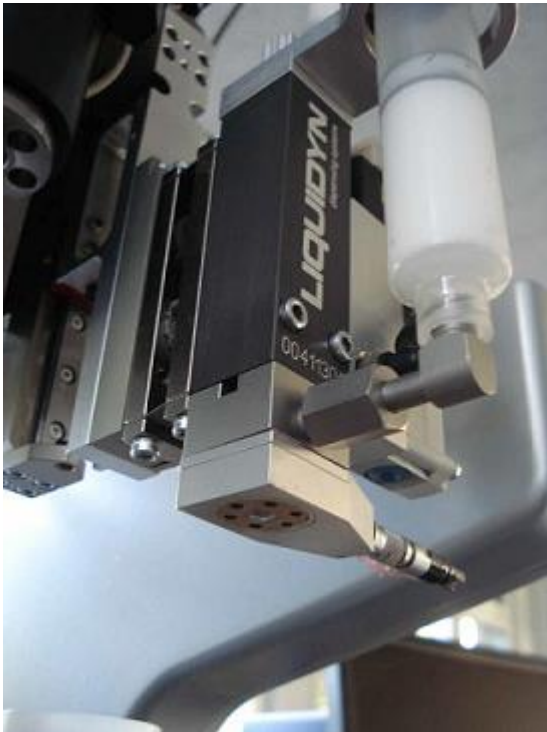
Nozzles:



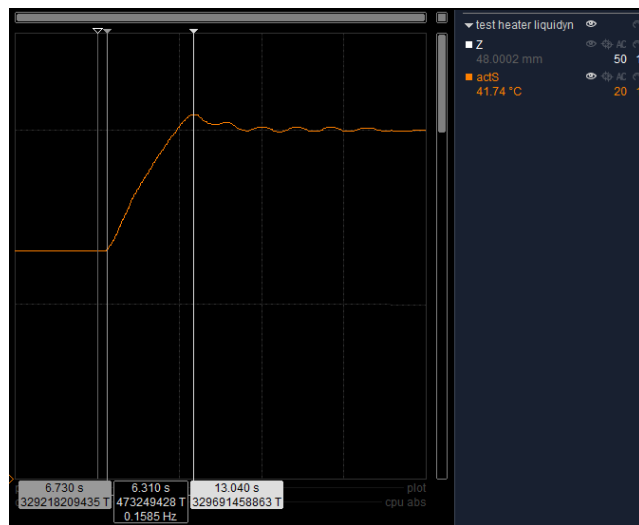
Dispensing nozzles are easily changed based on the process needs and dispensing media. An assortment of options exist ranging from flat nozzles (non-contact) to needle nozzles (contact). We can assist you to determine the best solution for dispensing valve and nozzle.

Typical dispense heights for non-contact range from 2-10 mm. Contact dispense heights can be less than 0.1 mm

Heater



The Liquidyn heater controls the temperature of the media in the nozzle in order to maintain a stable and controlled dispensing process. The maximum temperature is 80°C. The sample plot below shows the ramp from 25°C to 40°C in just over 6 seconds.



AIR-VAC AUTOMATION (North America)

30 Progress Avenue
Seymour, CT 06483 USA
Tel: +1 203 888 9900
Fax: +1 203 888 1145
airvacautomation@gmail.com
<https://www.air-vac-automation.com>

INFOTECH AUTOMATION (Outside North America)

Vogelherdstrasse 4
4500 Solothurn, Switzerland
Tel: +41 32 626 3660
Fax: +41 32 626 3669
sales@infotech.swiss
<https://www.infotech.swiss>

