

Dispensing Scale



The dispense process control weight scale is used to measure the quantity of media dispensed during process. A defined number of shots/dispenses with a jet, micro-screw, or time/pressure dispense unit is applied into the measuring cup. The measurement result can then be used for calibration purposes and process control. The scale can be loaded with a max. 21 g of material and has 0.01 mg resolution.

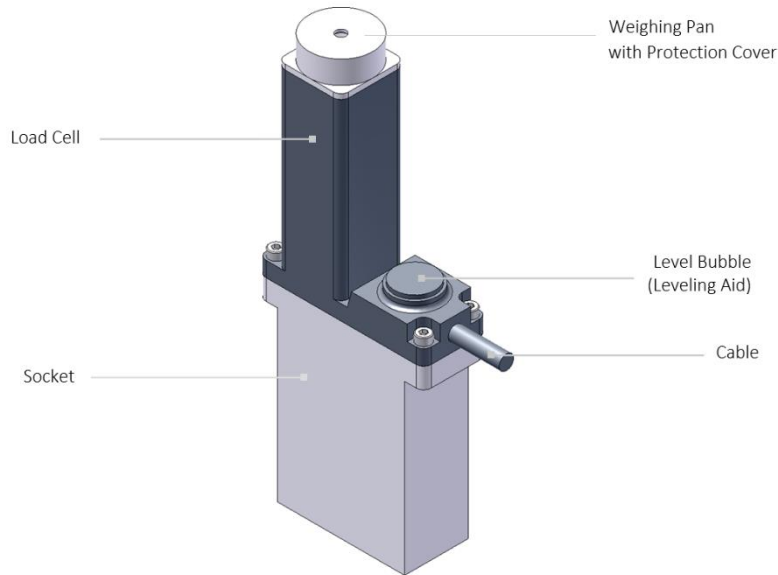
Technical Specifications:

- Resolution: 0.01mg
- Repeatability (at normal load) sd: 0.05 mg
- Linearity Deviation sd: +/- 0.05 mg
- Specification Temperature: 10 ... 30°C
- Ambient Temperature Range: 5 ... 40°C
- Specification Humidity: 20 ... 80 %H
- Linearity: +/- 0.2 mg
- Eccentric Load Deviation, 2mm Offset (measured at): 0.4 mg (10g)
- Sensitivity Offset ¹⁾: $4 \times 10^{-6} \cdot Rnt$
- Sensitivity Drift ²⁾: $2 \times 10^{-6} / ^\circ C \cdot Rnt$

1) Rnt = Net Weight (of Sample)

2) Temperature Range 10 ... 30°C

Overview:



AIR-VAC AUTOMATION
(North America)

30 Progress Avenue
Seymour, CT 06483 USA
Tel: +1 203 888 9900
Fax: +1 203 888 1145
airvacautomation@gmail.com
<https://www.air-vac-automation.com>

INFOTECH AUTOMATION
(Outside North America)

Vogelherdstrasse 4
4500 Solothurn, Switzerland
Tel: +41 32 626 3660
Fax: +41 32 626 3669
sales@infotech.swiss
<https://www.infotech.swiss>