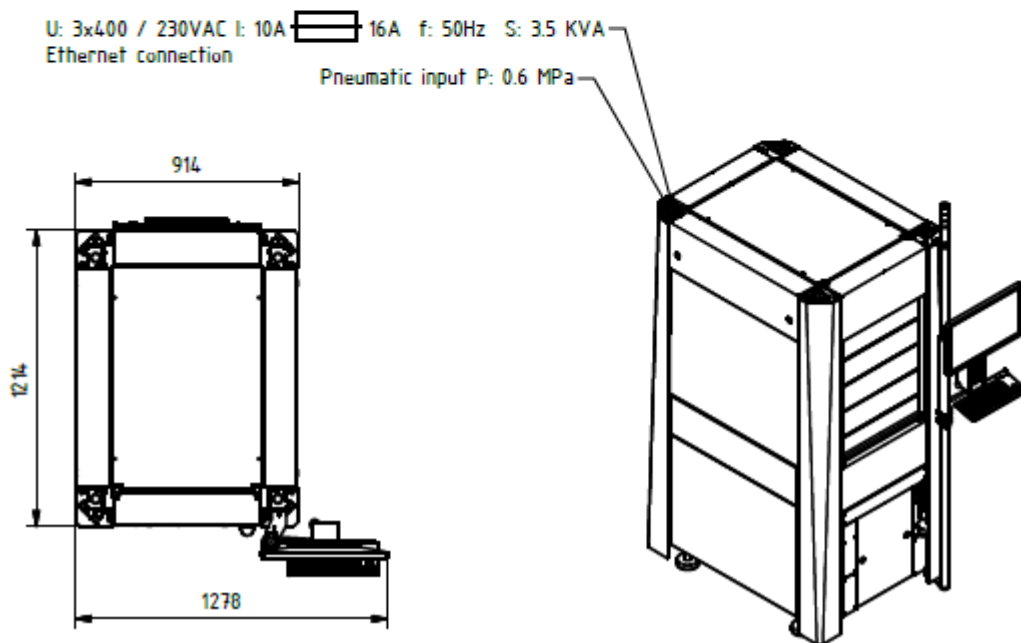
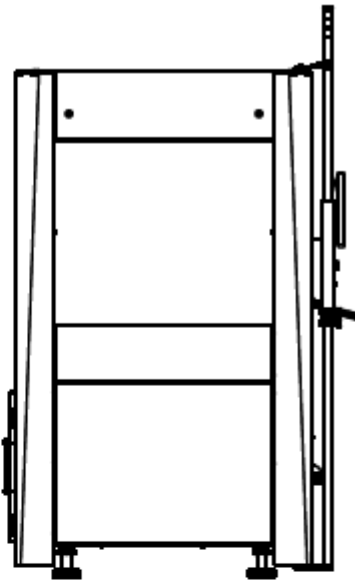
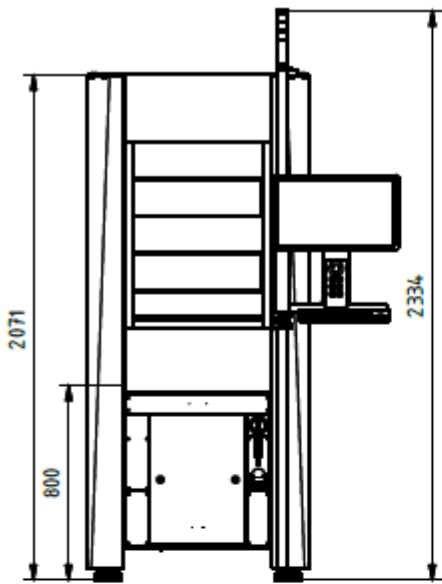


## Dimensions of the IC-900 Cell

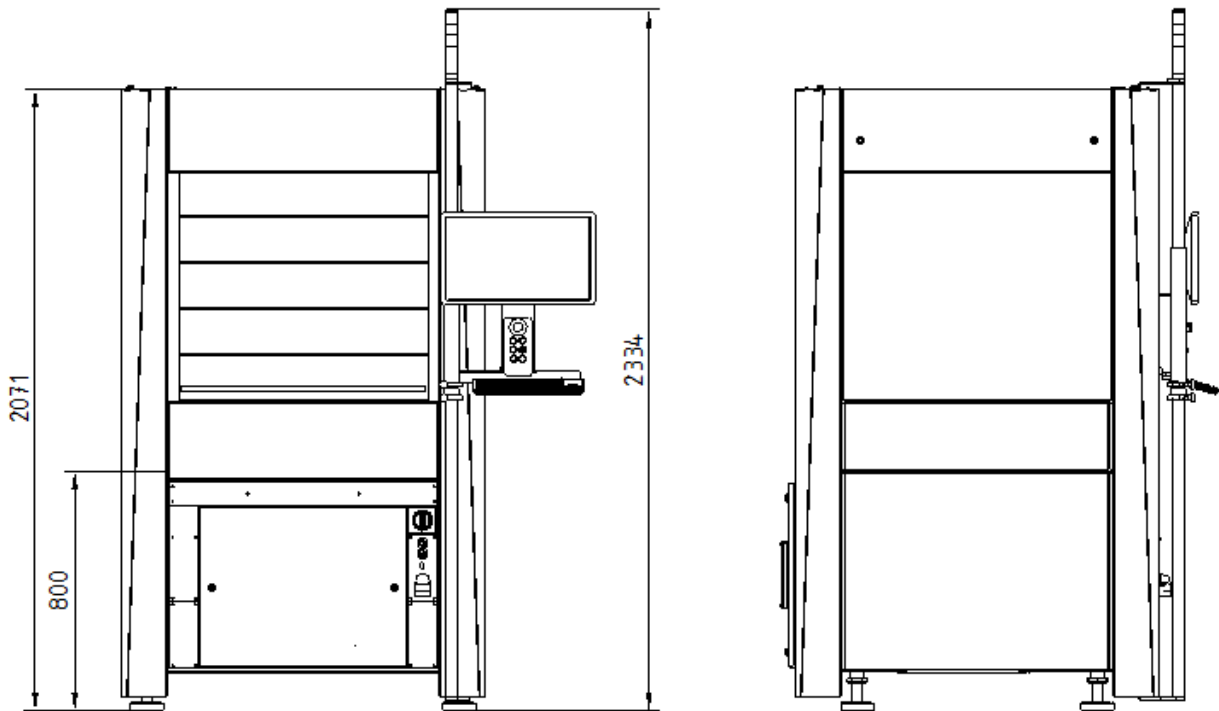


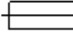
## Packing Dimensions (wooden packing according to IPCC-Standard):

1450 mm x 1350 mm x 2300 mm (L x W x H)

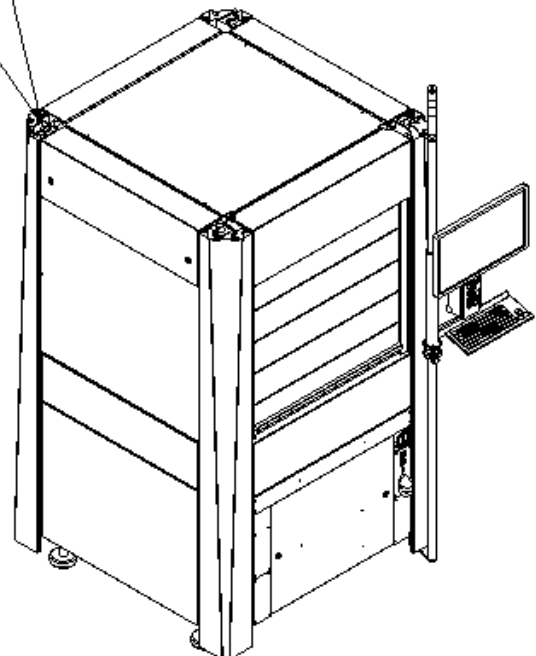
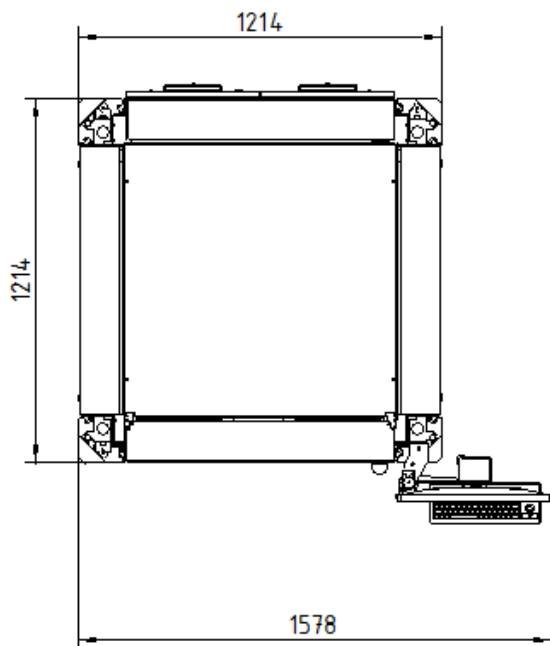
approx. 1300 kg / 1100 kg net

## Dimensions of the IC-1200 Cell



U: 3x400 / 230VAC I: 10A  16A f: 50Hz S: 3.5 KVA  
Ethernet connection

Pneumatic input P: 0.6 MPa

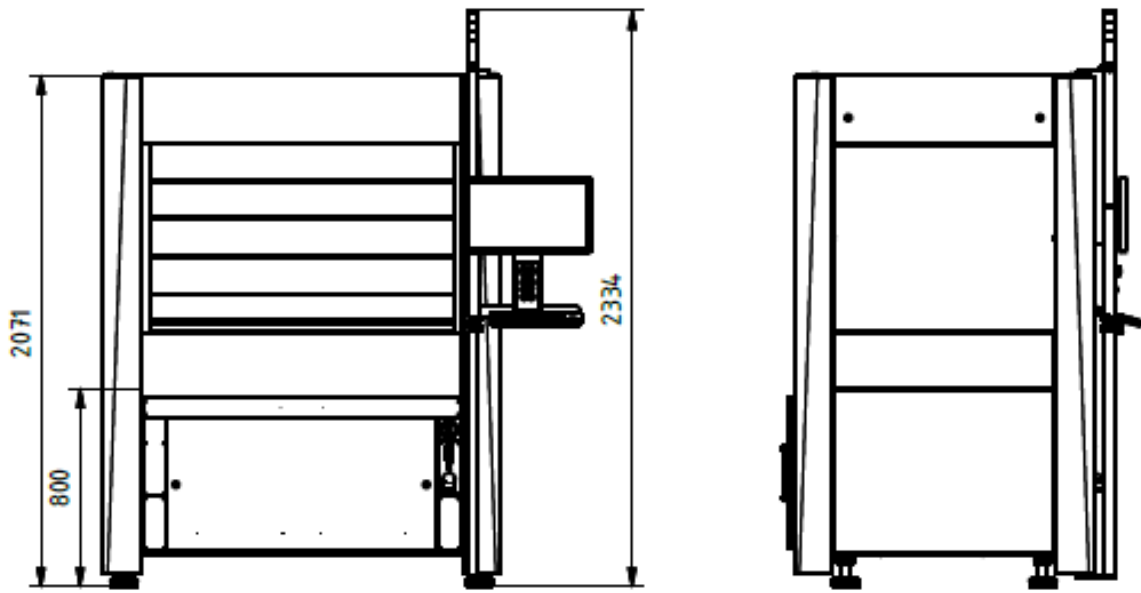



## Packing Dimensions (wooden packing according to IPCC-Standard):

1450 mm x 1350 mm x 2300 mm (L x W x H)

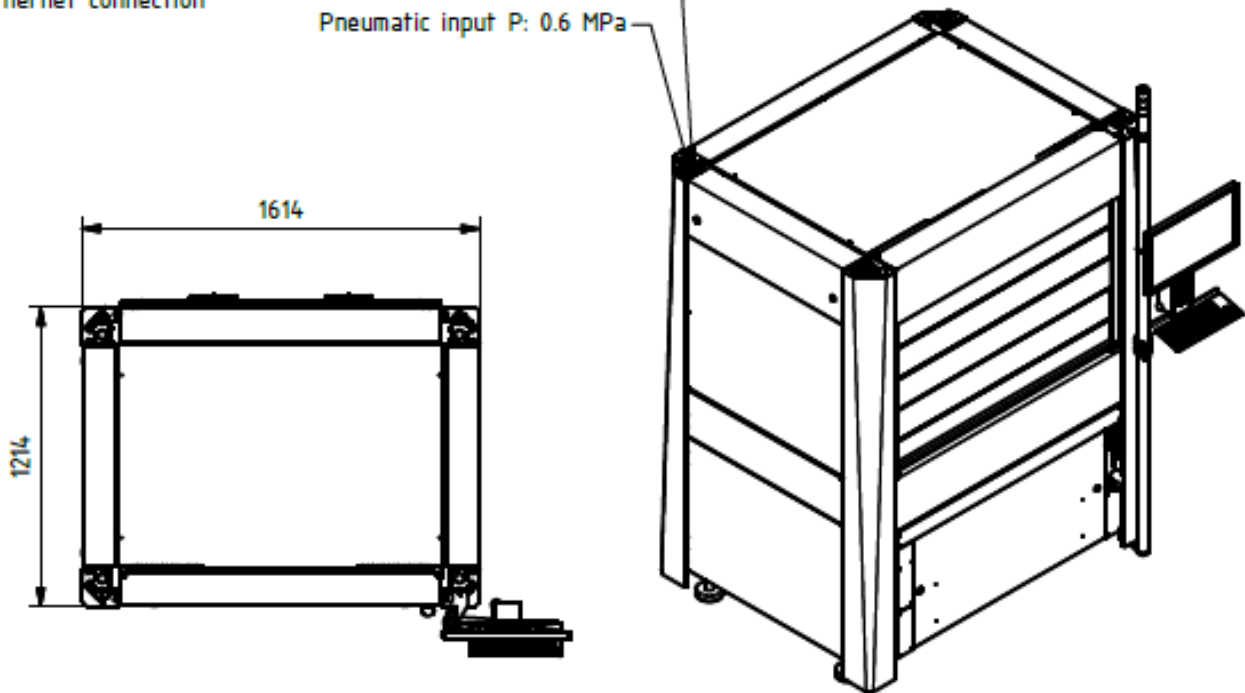
approx. 1600 kg / 1400 kg net

## Dimensions of the IC-1600 Cell



J: 3x400 / 230VAC I: 10A  16A f: 50Hz S: 3.5 KVA  
Ethernet connection

Pneumatic input P: 0.6 MPa



## Packing Dimensions (wooden packing according to IPCC-Standard):

1450 mm x 1750 mm x 2300 mm (L x W x H)

approx. 1700 kg / 1600 kg net